

User manual

MANUEL D'UTILISATION
GEBRUIKSAANWIJZING
GEBRAUCHSANWEISUNG
MANUALE DI ISTRUZIONI
MANUAL DE INSTRUCCIONES
INSTRUKCJA OBSŁUGI
NÁVOD K OBSLUZE

Illico



Contents

Contents	1
Preface	2
1 Your product	3
1.1 Description	3
1.2 Optional parts	4
2 Before use	5
2.1 Intended use	5
2.2 General safety instructions	5
2.3 Symbols on the nursing bed	6
3 Using your nursing bed	7
3.1 Assembling/disassembling, transport and storage.....	7
3.2 Installation.....	7
3.3 Using the handset.....	7
3.4 Operating the side rails	8
3.5 Adjusting leg section manually.....	9
3.6 Moving to/from the bed	9
4 Maintenance	10
4.1 Time of maintenance.....	10
4.2 Instructions for maintenance	10
4.3 Troubleshooting	11
4.4 Expected lifespan.....	11
4.5 Reuse	11
4.6 End of use.....	11
5 Technical specifications	12

Preface

Congratulations! You are now owner of a Vermeiren nursing bed!

This nursing bed is made by qualified and committed personnel. It is designed and produced according to high quality standards guarded by Vermeiren.

Thanks for your trust in the products of Vermeiren. To support you on the use of this bed and its operating options, this manual is offered. Please read it carefully; it will help you to get familiar with the operation, capabilities and limitations of your bed.

If you still have questions after reading this manual, do not hesitate to contact your specialist dealer. He/she will be glad to help you on this subject.

Important note

To ensure your safety and to prolong the lifetime of your product, please take good care of it and have it checked and/serviced on regular base.

This manual reflects the latest product developments. Vermeiren has the right to implement changes to this type of product without being imposed to any obligation to adapt or replace similar products previously delivered.

Pictures are used to clarify the instructions in this manual. Details of the depicted product may deviate from your product.

Information available

On our website <http://www.vermeiren.com/> you will always find the most recent version of following information. Please consult this website regularly for possible updates.

Visually impaired people can download the electronic version of this manual and have it read out by means of a text-to-speech software application.



- This manual
For user and specialist dealer



- Installation manual (Instructions for assembly and disassembly)
For specialist dealer



- Service manual (Beds)
For specialist dealer



- CE declaration of conformity
For user and specialist dealer

1 Your product

1.1 Description

The ILLICO nursing bed is easy to assemble or disassemble which makes it suitable for temporary use.

- i** Before using your nursing bed, check the technical details and limits of intended use, see chapter 5.

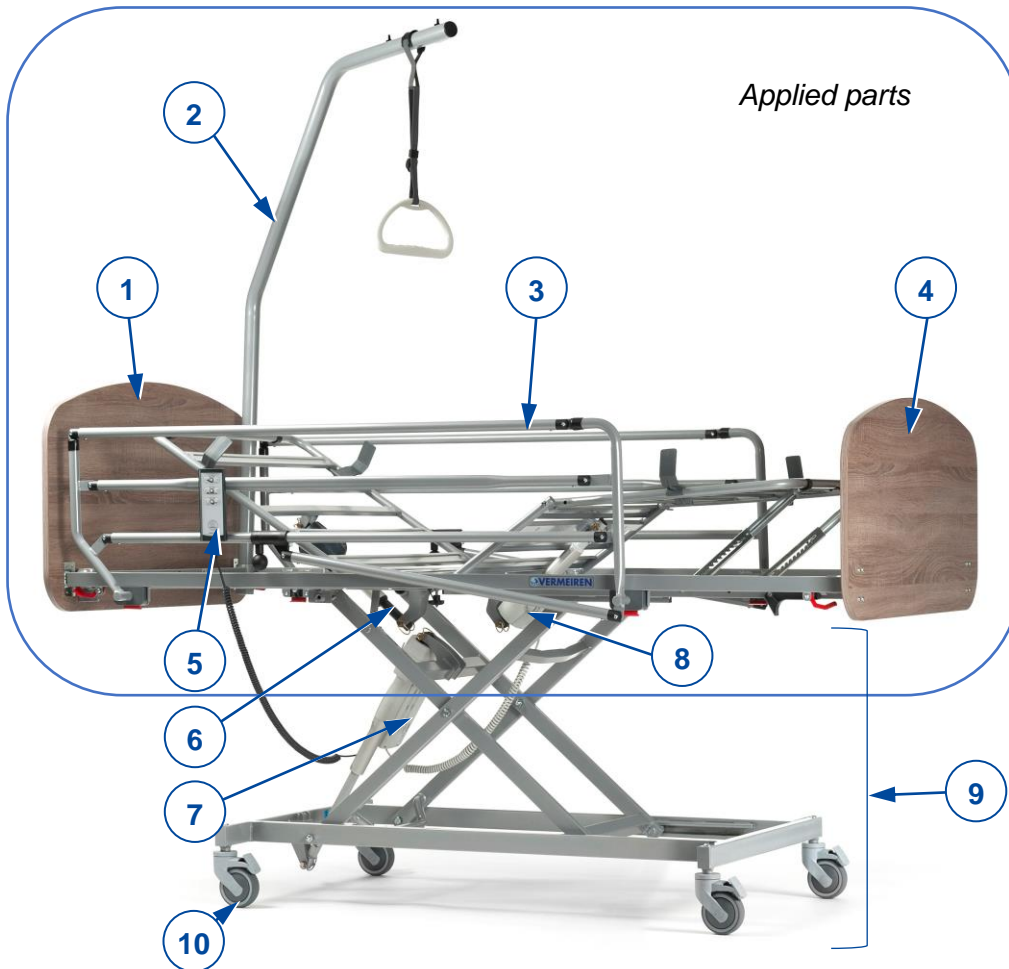


Figure 1 Important parts; bed in highest position

- | | |
|----------------------------------|---|
| 1. Headboard | 7. Motor of mattress support |
| 2. Lifting pole / Trapeze handle | 8. Motor of knee-bend system (optional) |
| 3. Side rail, foldable | 9. Undercarriage |
| 4. Footboard | 10. Castor wheel with brake |
| 5. Handset | |
| 6. Motor of head section | |

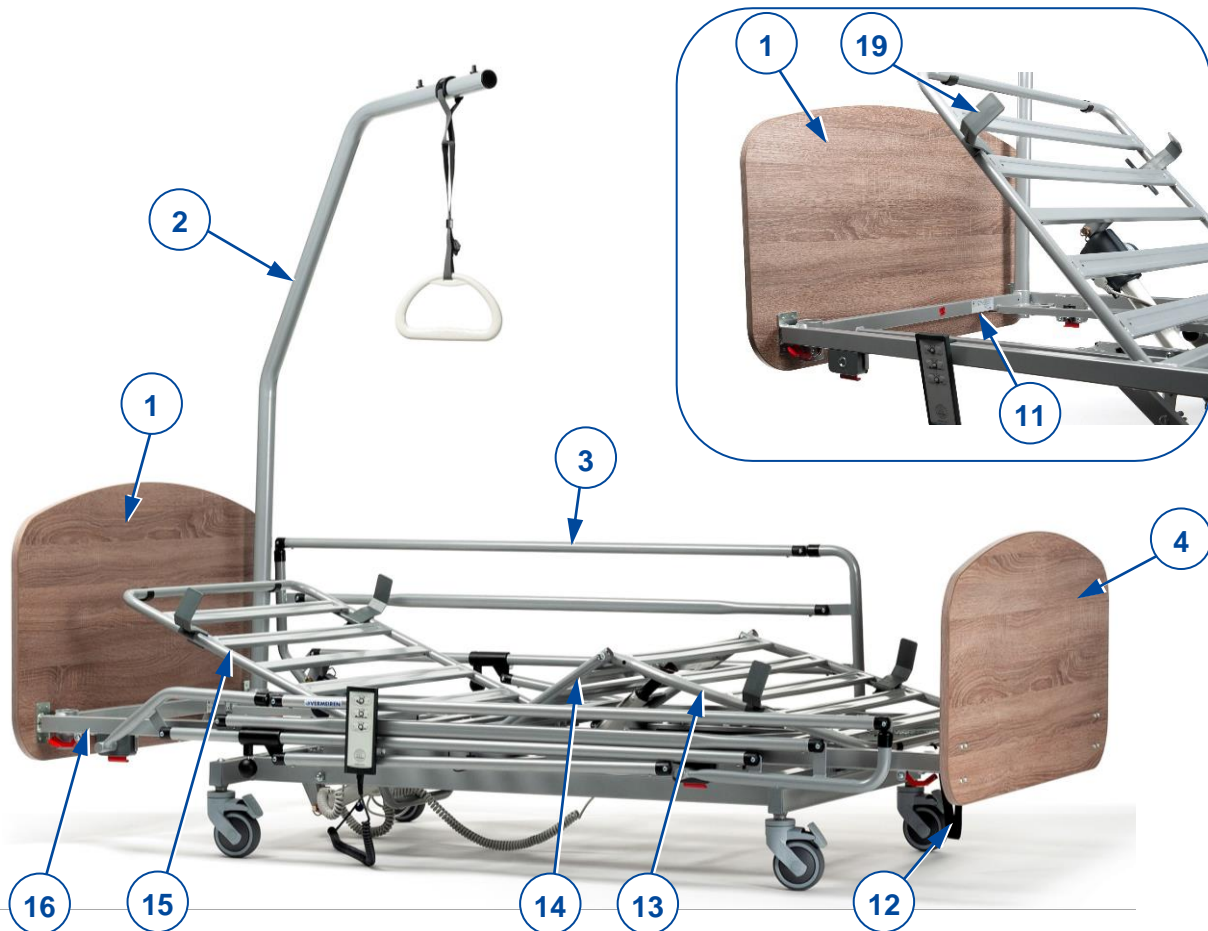


Figure 2 Important parts; bed in lowest position

- | | |
|--|---|
| 1. Headboard | 13. Lower-leg section |
| 2. Lifting pole / Trapeze handle | 14. Upper-leg section |
| 3. Side rail, foldable | 15. Head section |
| 4. Footboard | 16. Mattress support, comprising items (13+14+15) |
| 11. Location of identification plate (on bed frame, at head end) | 19. Mattress stopper |
| 12. Strap | |

1.2 Optional parts

Your nursing bed may be equipped with following parts:

- Extra motor (8) for electric operation of the knee bend mechanism
- Headboard, footboard, side rails are exchangeable
- Mattress frame with supports in plastic, instead of metal
- Length extension kit
- Width extension kit

For more information, contact your specialist dealer.

2 Before use

2.1 Intended use

In this paragraph a brief description of the intended use of your nursing bed is given. Additionally, relevant warnings are added to the instructions in the other paragraphs. In this way we would like to make you aware of the possible misuse that may appear.

- This nursing bed is classified as a Class II electrical product and is suitable for indoor use only.
- This nursing bed is designed and produced solely as resting place, to support one (1) person with a maximum weight of 135 kg.
- The nursing bed is designed for home-care use according to IEC standard 60601-2-52, application environment 4.
- Only use a suitable mattress on this bed, see chapter 5 for the details.
- Only use accessories and spare parts approved by Vermeiren.
- The warranty of this product is based on normal use and maintenance as described in this manual. Damage to your product caused by improper use or lack of maintenance will cause the warranty to lapse.

2.2 General safety instructions

 **WARNING** Risk of injuries and damage

Do not make any modifications to the bed without the approval of the manufacturer.

 **CAUTION** Risk of injuries and/or damage

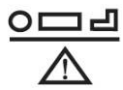
Follow the instructions in this manual and observe the safety directives. If not, you or bystanders may get injured, or your nursing bed may get damaged.

- Use the bed only on flat, level, solid floors with all four wheels touching the ground.
- When the patient is left unattended in the bed, leave the bed in the lowest possible position.
- Do not exceed the maximum load as stated in chapter 5.
- Do NOT use the bed as a means of transport, ladder, or storage for heavy or hot objects.
- The manufacturer is not liable for damage caused by the lack of or improper service, or as a result of not following instructions from this manual.
- Your bed has been tested on electromagnetic compatibility and complies to the standard. Despite this compatibility is it possible that the operation performance is influenced by electromagnetic fields like those of cell phones, power generators of high power energy sources.
- It is possible that the electronics of the bed influences other electronic devices. For this reason, it is advised to check your bed on damage or wear, see chapter 4.
- Do not add any mechanical or electrical devices to the bed.
- Make sure that during the operation of the bed, no objects or cables get entrapped between the moving parts of the bed. Make sure that the power supply cord does not get damaged by moving parts or sharp edges, or by being squished under the wheels.

Any serious incident [MDR (EU) 2017/745 §2 (65)] that has occurred in relation to the device should be reported to the manufacturer and the competent authority of the Member State in which the user and/or patient is established.

2.3 Symbols on the nursing bed

The symbols in following list are applicable for your nursing bed. Missing symbols can be found in the relevant ISO standard (ISO 7000, ISO 7001 and IEC 417).



Maximum weight of the user (in kg)



Maximum safe working load (in kg)



Maximum mattress thickness (in mm)



Mattress dimensions (in cm)



Type designation



Risk of entrapment

3 Using your nursing bed

3.1 Assembling/disassembling, transport and storage

The bed will be assembled by your specialist dealer according to the instructions in the installation manual.

For transport, all parts are collected on a transport trolley. Attach the transport trolley and bed parts firmly to the vehicle, so they won't move during transport.

If not in use, store the bed at a dry location, see chapter 5 for the details.

3.2 Installation

 CAUTION Risk of injuries and damage

- Make sure that the bed is moved without any person in it.
1. If not yet assembled, assemble the bed according to the instructions in the installation manual.
 2. If the bed is in use, make sure that all covers and sheets are within the side rails.
 3. Unplug the power cable from the socket and place the cable end on the bed.
 4. Release all brakes of the castor wheels, see [A] in next figure.
 5. Roll the empty bed in place.
 6. When in position, apply the four brakes, see [B] in next figure.
 7. Connect the power cable of the bed to the 220/230V AC power socket.

Releasing brakes [A]:
Use your foot to press the top of the brake lever backwards.

Applying brakes [B]:
Use your foot to press the brake lever down towards the castor wheel.

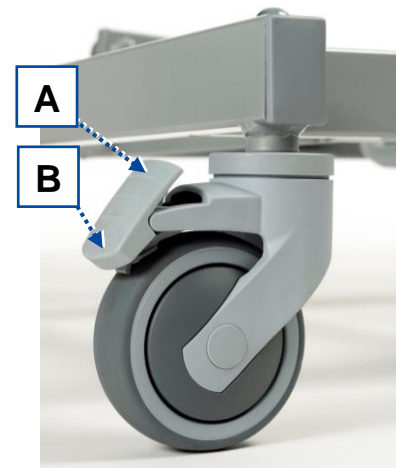



Figure 3 Castor wheel with brake

3.3 Using the handset

 CAUTION Risk of injuries

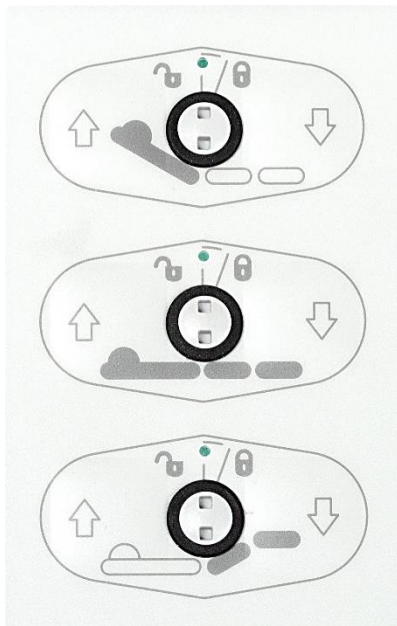
- To ensure safe operation of the bed, changing the operation mode using the key is ONLY allowed by authorised medical personnel.

The bed is delivered with a handset to operate the moveable parts of the bed. The handset has two operation modes: normal patient operation, and operation by authorized and trained medical staff. In the latter operation mode, the handset is only accessible by a key to be operated by trained medical personnel.

3.3.1 Use by the patient

- i** Some of the buttons might not respond when you press them. If this is the case, they are locked to be used only by medical staff according to your medical condition.

The following buttons can be used on the handset. Press and hold one of the buttons until the desired position is reached. To stop the movement, release the button.



Back section UP / DOWN

Mattress support UP / DOWN

Leg section UP / DOWN

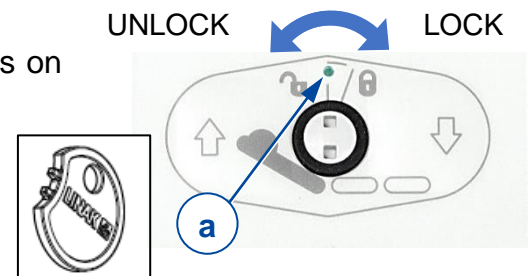
3.3.2 Lock function (for medical personnel only)

To prevent unintentional movements by the patient, buttons on the handset can be locked using a key.

To lock/unlock, the small dial between two buttons needs to be turned with help of the key.

Indicator (a) in the middle of the key turns

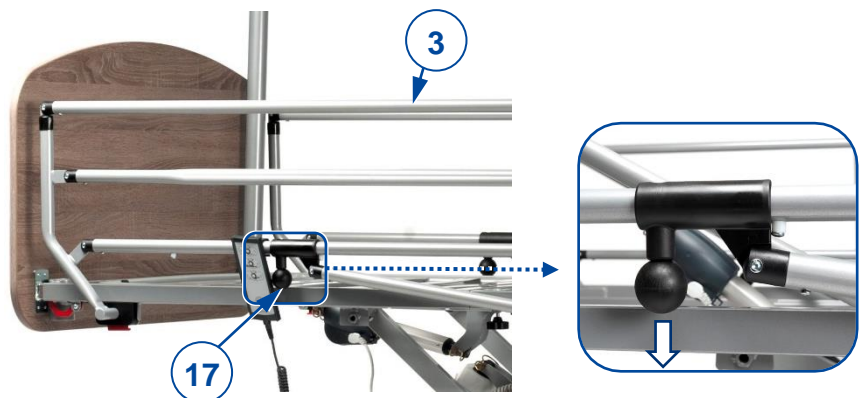
- green when the button is unlocked;
- yellow when the button is locked.



3.4 Operating the side rails

3.4.1 Metal side rails

- Fold the side rail (3): pull the black, spherical knob (17) to unlock the side rail and fold the rail down.
- Unfold the side rail (3): pull the rail up until it is locked.



3.4.2 Split side rails

- Fold the side rail (4): pull the knob (20) to unlock the side rail and fold the rail down. If necessary, repeat for the second split side rail on the same side.
- Unfold the side rail (4): pull the rail up until it is locked.

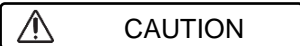


3.4.3 Wooden side rails

- To lower the side rails:
 1. Raise the upper slat gently.
 2. Press the button (21) on the side of the head or foot panel.
 3. Lower the side rails gently. Always take hold of the upper wooden slat only.
- To raise the side rails: pull the upper rail up until it is locked.



3.5 Adjusting leg section manually



CAUTION

Risk of injury by entrapment or damage to the bed

- Make sure that no bystanders or objects get trapped between the moving parts.
- Only use strap (12) at the foot end to adjust the height of the leg section.

Raising legs/feet

1. To adjust the height of feet and legs, grip the strap at the food end of the bed.
2. Pull the strap up to raise the leg section of the mattress support to the desired height. When you stop pulling, the system stays locked at a notch of rastomat (18).

Lowering legs/feet

1. To lower, pull the strap to the highest position to unlock rastomat (18).
2. Hold the strap and move the leg section slowly down.

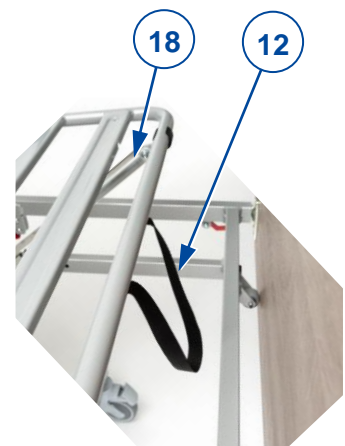
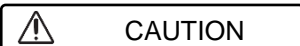


Figure 4 Adjusting knee height

3.6 Moving to/from the bed



CAUTION

Risk of falling

- In case you cannot perform the transfer in a safe manner, ask someone to assist you.

Going to bed

1. Check whether the brakes of the castor wheels are applied, see 3.2.
2. Adjust the height of the bed with the handset, see 3.3.
3. Lower the side rail, see 3.4.
4. Position yourself as close as possible to the side of the bed.
5. Transfer to the bed. Use the lifting pole with trapeze handle to help move yourself on the bed.
6. Raise the side rail, see 3.4.

Getting up from the bed

1. Adjust the bed to the easiest position for transfer out of the bed:
 - Lower the lower leg section, see 3.3 or 3.5.
 - Lower the side rail, see 3.4.
 - Adjust the height of the bed to a low position with the handset; see 3.3.
2. Turn yourself to sitting position with your legs outside the bed. Use the lifting pole with trapeze handle to help move yourself from the bed.



4 Maintenance

Your nursing bed requires minimum maintenance, but it is advisable to inspect the nursing bed regularly in order to keep it trouble-free for years.

4.1 Time of maintenance

CAUTION

Risk of injuries and damage

- Repairs and replacements may only be undertaken by trained persons and only genuine replacement parts of Vermeiren should be used.
- i**
 - The last page of this manual contains a registration form for the specialist dealer to record each service.
 - The service frequency depends on the frequency and intensity of use. Contact your specialist dealer to agree to a common timetable for inspection/maintenance/repair.
 - To find a service facility or specialist dealer near you, contact the nearest Vermeiren company division.

Once a year / for every new user

This nursing bed needs to be serviced and disinfected before passing on to a new user, but at least once a year. Contact your specialist dealer for more information.

Every month

Visually inspect the following points regularly:

- Keep your castor wheels free of wires, hair, sand and carpet fibres.
- Check the working of the brakes. If the bed can be moved while the brakes are applied, you should check wheels and brakes for wear, damage or contamination like oil, water...
- Handset, motors, connection points and cables: check for damage like electrical wires that are frayed, broken or that become exposed.
- Check if all parts are well secured.
- Check all parts for damage or wear. Contact your specialist dealer for possible repairs or part replacements.

Every week

Cleaning:

- Use a soft cloth or vacuum cleaner to remove dust.
- In case of dirt, empty the nursing bed and remove the mattress. Wipe all parts with a damp cloth (not drenched). If necessary, use a mild soap, suitable for varnishes and synthetics.

If stored

Make sure that the bed is stored dry to prevent mould or rust, see details in chapter 5.

4.2 Instructions for maintenance

4.2.1 Cleaning

CAUTION

Risk of damage by moisture

- Keep handset, motors and connection points clean and protect them from moisture.
- Keep the operating console clean and protect it from water and rain.
- Never use a hose or high-pressure cleaner to clean the bed.

Wipe all rigid parts of the bed with a damp cloth (not drenched). If necessary, use a mild soap, suitable for varnishes and synthetics.

The upholstery can be cleaned with lukewarm water and a mild soap. Do not use abrasive cleaning agents to clean.

4.2.2 Disinfection

CAUTION

Risk of damage

Disinfections may only be undertaken by trained persons. Consult your specialist dealer.

Use a soft, damp cloth and lukewarm water with a mild household disinfectant to clean the bed.

4.3 Troubleshooting

Even if you use your nursing bed properly, a technical problem may occur. In this case, contact your local specialist dealer.



CAUTION

Risk of injuries and damage to the nursing bed

- NEVER repair your nursing bed yourself attempting to solve the problem.

The following symptoms may indicate a problem. Therefore, always contact your specialist dealer if you spot any of the following deviations:

- Strange sound;
- Frayed/damaged power cables;
- Cracked or broken connectors;
- Jerky movements of frame sections;
- Damaged or broken castor wheels;
- Nursing bed is powered, but the handset does not work.

4.4 Expected lifespan

The average lifespan of your bed is 5 years. Depending on the frequency of use and maintenance, the lifespan of your bed will increase or decrease.

4.5 Reuse

Before each reuse, have the bed disinfected, inspected and serviced according to the instructions in §4.1 and §4.2.

4.6 End of use

At end of life, you need to dispose your nursing bed according to the local environmental legislation. The best way to do so, is to disassemble the nursing bed to facilitate the transport of recyclable parts.

5 Technical specifications

The technical details below are only valid for this nursing bed, at standard settings and optimal ambient conditions. Take these details into account during use.

The values are no longer applicable if your nursing bed has been modified, damaged or suffers from severe wear.

Table 1: Technical specifications

Brand	Vermeiren
Type	Nursing bed
Model	Illico

Description	Dimensions
Max. weight of user	135 kg
Length	2080 mm
Height	783 mm - 1313 mm
Width	1024 mm
Height of mattress support, adjustable	Continuously from 298 to 828 mm (without mattress)
Total mass	85 kg (excl. side rails, lifting pole and triangle)
Total mass of heaviest part	31 kg
Max. angle head section, adjustable	70°
Max. angle for upper leg	36,8°
Max. angle for lower leg	-17,2°
Max. safe working load *	170 kg
Nominal load of lifting pole	75 kg
Mattress specifications	Min. RG 35, thickness 120 mm, 2000 x 900 mm, max. 20 kg
Clearance below bed for patient hoist	150 mm
Castor wheels (4 pieces)	Ø 100 mm, all wheels with brake
Motor of undercarriage	Linak LA40, IPX6
Motor of head section	Linak LA27, IPX6
Motor of knee-bend system (optional)	Linak LA27, IPX6
Handset	Linak HL7X045-01, IPX4
Transformer	Linak CA40, IPX6
Nominal voltage, transformer	U _{in} : 100 - 240 V AC, 50/60 Hz I _{in} : max. 2.5 A
Period switched on	10%, Maximum 2 minutes then 18 minutes for non-use
Noise level	~ 48 dB(A)
Class / Kind of protection	Protection class II, application part Type B / IPX4
Storage and use temperature	+5 °C to +40 °C
Storage and use humidity	20% / 90%

We reserve the right to introduce technical changes. Measurement tolerance ± 15 mm / 1,5 kg / 1,5°.

*** Max. safe working load = mass user weight + mass mattress + mass other accessories**



Service registration form

This product (name):

was inspected (I), serviced (S), repaired (R) or disinfected (D):

By (stamp): Kind of work: I / S / R / D Date:	By (stamp): Kind of work: I / S / R / D Date:	By (stamp): Kind of work: I / S / R / D Date:
By (stamp): Kind of work: I / S / R / D Date:	By (stamp): Kind of work: I / S / R / D Date:	By (stamp): Kind of work: I / S / R / D Date:
By (stamp): Kind of work: I / S / R / D Date:	By (stamp): Kind of work: I / S / R / D Date:	By (stamp): Kind of work: I / S / R / D Date:
By (stamp): Kind of work: I / S / R / D Date:	By (stamp): Kind of work: I / S / R / D Date:	By (stamp): Kind of work: I / S / R / D Date:
By (stamp): Kind of work: I / S / R / D Date:	By (stamp): Kind of work: I / S / R / D Date:	By (stamp): Kind of work: I / S / R / D Date:



Vermeiren GROUP
Vermeirenplein 1 / 15
2920 Kalmthout
BE

website: www.vermeiren.com

Instructions for specialist dealer

This instruction manual is part and parcel of the product and must accompany every product sold.

Version: E, 2023-11

Basic UDI: 5415174181210IllicoRN

All rights reserved, including translation.